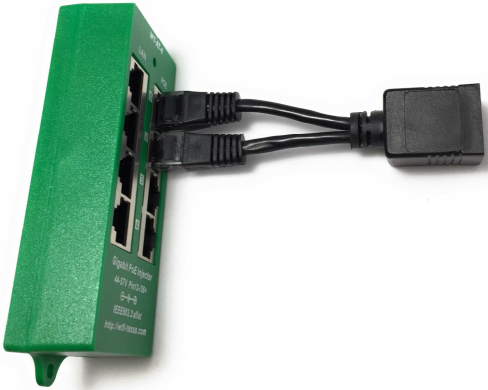
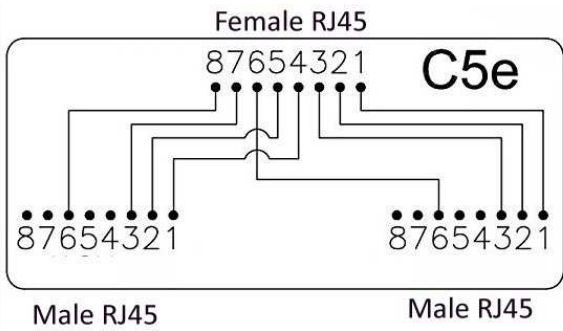


# RJ45 Splitter/Combiner WT-MMF-RJ45 uPoE Cable – kit of 2



This wifi-texas brand device has two uses.

UpoE	Ethernet cable doublers
<p>Use with a WT-AT type injector to double the power into one device from 25 watts to 50 watts – combines two 802.3at ports into one uPoE port.</p> <p>supports gigabit data rates and 50 watts per CAT-6 cable</p> <p>Use two for each uPoE device – one on the PoE side and one on the LAN side of a WT-AT-4 or WT-AT-8 device</p> 	<p>Use to put two 10/100 ethernet circuits onto one Long run Ethernet cable with or without PoE</p> <p>Supports 2 individual 10/100 data rate connections and up to 25 watts for each ( 50 watts total) on CAT-5e</p> <p>Connect two Male RJ-45 to your switch, then remotely connect each male RJ45 to your Camera, WiFi or phone. Use any CAT-5e cable between the two WT-MMF devices</p> 

It provides a low cost solution for either use case. UpoE operation is Intended for use with WiFi-Texas brand WT-AT-4 or WT-AT-8 devices. Ethernet doubler operation is intended for use with any 10/100 switch with our without PoE

Specifications

Power source	PoE switch or injector
8 wire, 4 pair combined 10/100/1000 connector	Female RJ45
4 wire, 2 pair split 10/100 connector	Male RJ45 with 1&2 and 3&6
Input Voltage Max	Up to 57 volts
Input Current at 48v	650ma per pair – 60 watts total
Operating Temperature	0°C ~ 50°C
Size	125 mm cable length
Weight	2 ounces



PoE Tester from PoE-Texas