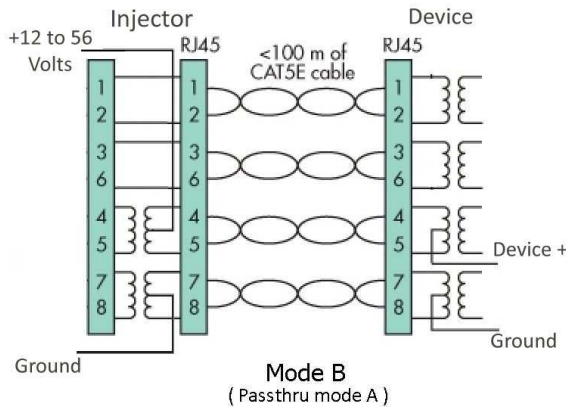
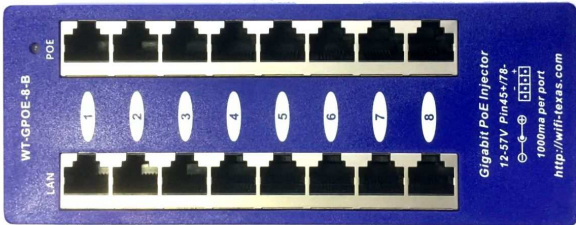


### WT-GPOE-8B for Ubiquiti and Mikrotik power for 8 gigabit devices with 24 volts



- **8 Port Gigabit Ethernet Injector**
  - 8 Shielded RJ-45 LAN
  - 8 Shielded RJ-45 LAN+POE
  - 10/100/1000 data rates
- **Injector: 180 mm x 45mm x 25mm** including 2x 10mm tabs
- **Power supply: 122mm x 53mm x 34mm** plus 12mm on each side for the tab
- wall mount - stackable
- **1000 ma** automatic resettable fuse on each port
- Same voltage to all ports power is shared as needed by the devices
- Use with any Ethernet switch
  - PoE or non-PoE switches
- Standard power connector
  - 2.1mm x 5.5mm
- Additional Phoenix DC connector
  - 3.5mm model 1844236
  - pin 2 (minus) pin 4 (plus)
- **LED status indicator**
  - Green standard polarity
  - Red for Reverse polarity
- **Operating Temperature**
  - 0 to 65 deg C
- **Mode B operation**
  - pins 7,8 (-)
  - pins 4,5 (+)
  - reversible with the WS-Cisco adapter
- **Mode A passthru**
- Ideal for IP Cameras, VOIP phone, WiFi Access Points
- **Technical support from Austin**
- **Select the power supply you need** 30, 60 or 120 watts
- **Power is always on**
  - no autonegotiation

### power input

Device Spec	Mode B - DC Input RJ45 pins 4,5+ 7,8-	Note
Ubiquiti Mikrotik	24 volts	Up to 24 watts per port
Canopy Cambium	24 Volts reverse	Use the WS-Cisco Reversing cable