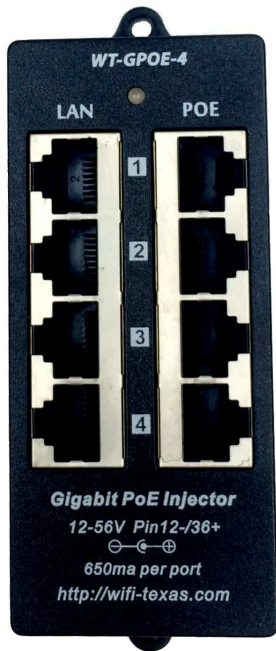
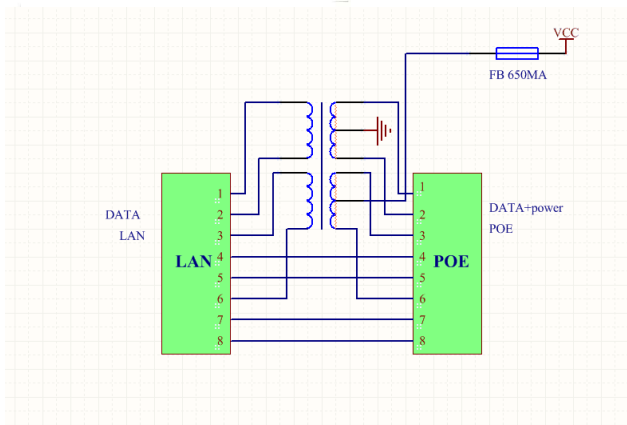


### WT-GPOE-4 for 802.3af or passive 802.3at mode A power for 4 gigabit devices



- WiFi-Texas Brand injector
- 4 Port Gigabit Ethernet Injector
  - 4 Shielded RJ-45 LAN
  - 4 Shielded RJ-45 LAN+POE
  - 10/100/1000 data rates
- Size: 115 mm x 45mm x 25mm)
- wall mount - stackable
- 650 ma automatic resettable fuse on each port
- Same voltage to all ports  
power is equally shared as needed by the devices
- Use with any Ethernet switch
  - PoE or non-PoE switches
- Standard power connector
  - 2.1mm x 5.5mm
- LED status indicator
- Operating Temperature
  - 0 to 65 deg C
- Mode A operation
  - pins 1-2 (-)
  - pins 3-6 (+)
  - reversing cable available
- Ideal for IP Cameras, VOIP phone, WiFi Access Points
- Technical support from Austin
- Select the power supply you need  
48 or 56 volts
- Power is always on
  - no autonegotiation
  - powers 802.3af / 802.3at devices "passively"
- Use our reversing jumper WS-Cisco for reverse polarity if needed



power input

Device Spec	Mode A - DC Input RJ45 pins 12- 36+	Note
Passive 802.3at	56 volts	Please see WT-AT-4 for active 802.3at
802.3af or "12v, PoE"	48 volts	Up to 100 watts total, or 25 watts per port