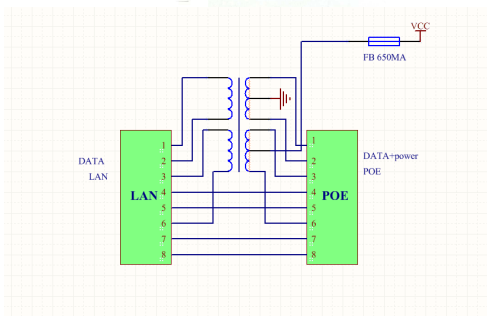
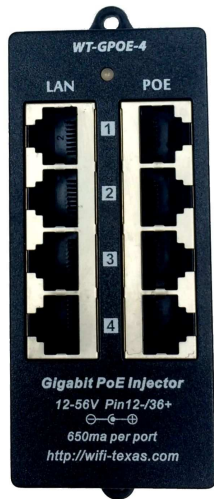




Multi Port Passive POE injector

PoE-Texas LLC
 3616 Far West Blvd
 Austin Tx 78731
 512-479-0317
<http://poe-texas.com>
 Skype: wifiqos

WT-GPOE-4 for 802.3af or passive 802.3at mode A power for 4 gigabit devices with power supply



- WiFi-Texas brand injector
- 4 Port Gigabit Ethernet Injector
 - 4 Shielded RJ-45 LAN
 - 4 Shielded RJ-45 LAN+POE
 - 10/100/1000 data rates
- Injector: 115mm x 45mm x 25mm including 10mm tabs
- Power supply: 122mm x 53mm x 34mm plus 12mm on each side for the tab
- wall mount - stackable
- 650 ma automatic resettable fuse on each port
- Same voltage to all ports power is shared as needed by the devices
- Use with any Ethernet switch
 - PoE or non-PoE switches
- Standard power connector
 - 2.1mm x 5.5mm
- LED status indicator
- Operating Temperature
 - 0 to 65 deg C
- Mode A operation
 - pins 1-2 (-)
 - pins 3-6 (+)
 - reversing option on request
- Ideal for IP Cameras, VOIP phone, WiFi Access Points
- Technical support from Austin
- Select the power supply you need 48 or 56 volts
- Power is always on
 - no auto-negotiation
 - powers 802.3af / 802.3at devices "passively"
- Use our reversing jumper for reverse polarity if needed (WS-Cisco)

power input

Device Spec	Mode A - DC Input RJ45 pins 12- 36+	Note
Passive 802.3at	56 volts	Please use WT-AT-4 for active 802.3at
802.3af or "12v, PoE"	48 volts	Up to 100 watts total, or 25 watts per port