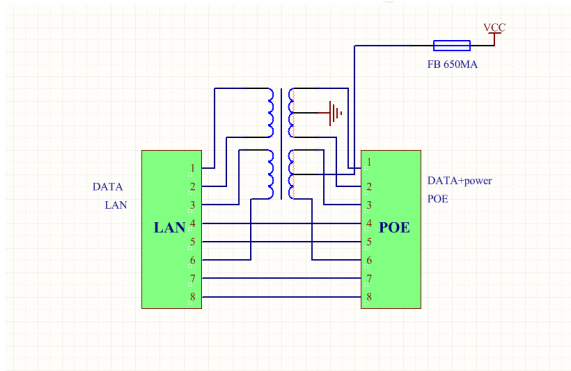
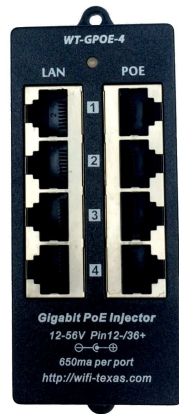




Multi Port Passive POE injector

WT-GPOE-4 for 802.3af or 802.3at
power for 4 gigabit devices including 48v power supply



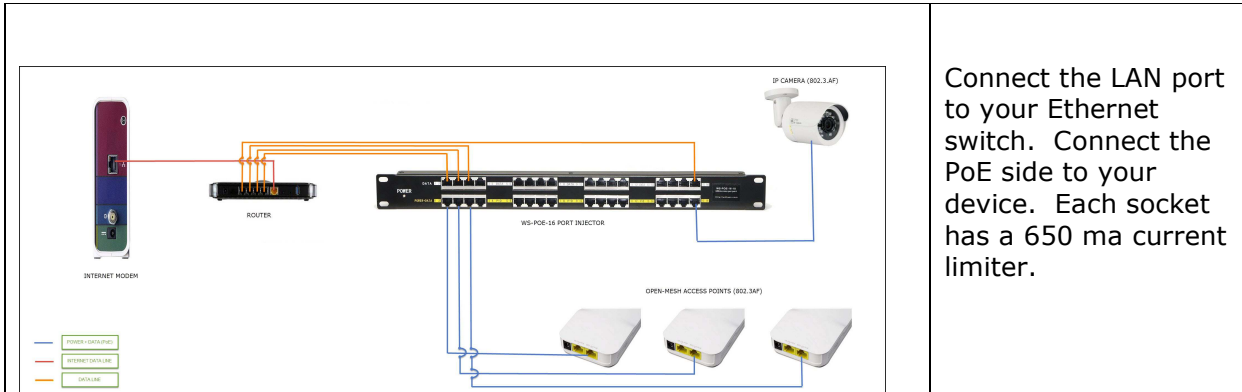
power input

- 4 Port Gigabit Ethernet Injector
 - 4 Shielded RJ-45 Data
 - 4 Shielded RJ-45 Data+POE
 - 10/100/1000 data rates
- Size: 115 mm x 45mm x 25mm
- wall mount - stackable
- 650 ma automatic resettable fuse on each port
- Same voltage to all ports power is equally shared as needed by the devices
- Use with any Ethernet switch
 - PoE or non-PoE switches
- Standard power connector
 - 2.1mm x 5.5mm
- LED status indicator
- Operating Temperature
 - 0 to 65 deg C
- Mode A operation
 - pins 1-2 (-)
 - pins 3-6 (+)
 - reversing option
- Ideal for IP Cameras, VOIP phone, WiFi Access Points
- Technical support from Austin
- 48v power supply included
- Power is always on
 - no autonegotiation
 - powers 802.3af / 802.3at devices "passively"
- Use our reversing jumper for reverse A polarity if needed

Device Spec	Mode A - DC Input RJ45 pins 12- 36+	Note
802.3at	56 volts	for up to 120 watts total or 30 watts per port
802.3af or "12v, PoE"	48 volts	Up to 100 watts total, or 25 watts per port

Please follow this sequence: .

- Is the device you will power compatible with 802.3af or 802.3at ?
- Connect the DC cord from the power brick supplied to the Injector (see table below)
- Apply AC power (100 to 240v AC) to the power brick
- 10/100 and gigabit rates are supported.
- For each powered device, connect PoE to the device, and LAN to your switch
- We can power 802.3at and 802.3af – without negotiation – power is on all the time
- If the device shows “12v, PoE” on the data sheet – this means that the device uses 12v when powered from a transformer – and 48v when powered via CAT-5.
- If you need pins 12+ and 36- then you can use our WS-Cisco reversing cable, or any standard Ethernet crossover cable.



Connect the LAN port to your Ethernet switch. Connect the PoE side to your device. Each socket has a 650 ma current limiter.

VOIP phones, cameras and WiFi AP's need from 3 to 15 watts each, with this injector, you can provide remote power up to 328 ft from the power source. If your device data sheet shows “48v 350ma” please understand that this is not the power your device needs, but the max power that is available according to the 802.3af spec. For example, a Polycom VOIP phone is 802.3af compatible, but needs about 4.5 watts to operate. Therefore, one 6 port injector and a 30 watt power supply can power 6 phones at low cost.

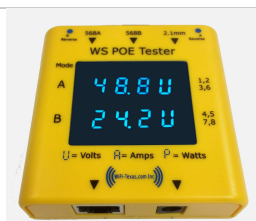
This device will shut down the socket if power exceeds 1.3 amps for more than a few seconds. It will restore power if the load is less than 650 ma is needed.

The power supply included is UL, CE and FCC approved and has an input voltage of 100 to 240 volts, 50/60 hertz.

Other Products from WiFi-Texas



12 and 16 port rack mount
10/100mb or gigabit



PoE Tester



5v, USB and 12 volt active
splitters

WiFi-Texas.com inc 815-A Brazos #326 Austin Texas, 78701 **tel: 512-479-0317**

<http://find-a-poe.com/> Skype: wifiqos Phone 512-479-0317