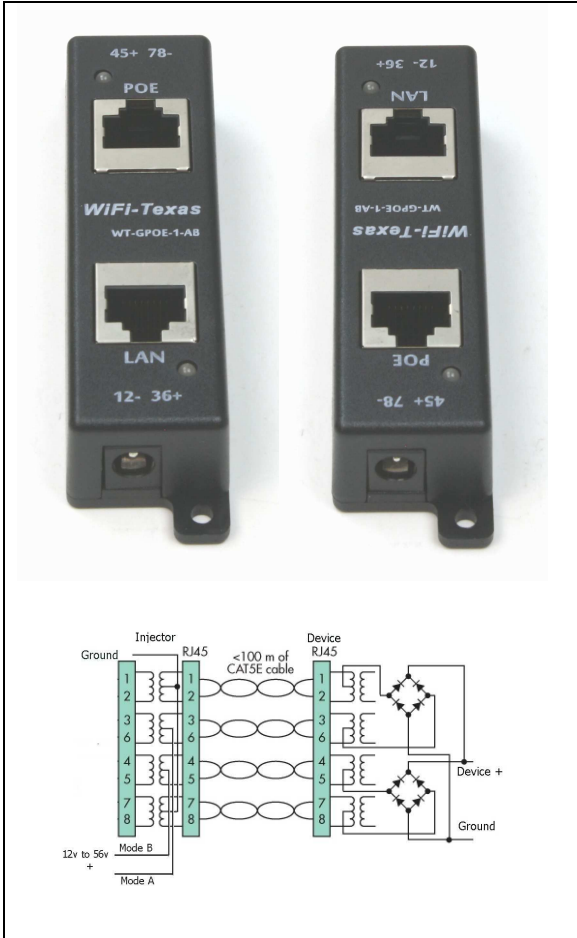




Wifi-Texas.com Inc
 815-A Brazos #326
 Austin Tx 78701
 512-479-0317
 Skype: wifiqos

WT-GPOE-1-AB Injector / Splitter for 802.3at and PoE+

10/100/1000 or Gigabit, use as PoE injector or PoE Splitter.
 External power supply, not included, from 12v to 56v, up to 60 watts.



- 1 Port Gigabit Ethernet
 - Injector or Splitter
 - 1 Shielded RJ-45 LAN
 - 1 Shielded RJ-45 LAN+POE
 - 10/100/1000 data rates
 - Size: 100 mm x 25mm x 22mm
 - wall mount - stackable
 - Dual 650 ma automatic resettable fuses – one for each mode
 - Use with any Ethernet switch
 - PoE or non-PoE switches
 - Dual Standard power connectors
 - 2.1mm x 5.5mm
 - LED status indicator for each Mode - Green / Red
 - Operating Temperature
 - 0 to 65 deg C
 - Mode A operation
 - pins 1-2 (-)
 - pins 3-6 (+)
 - reversing option
 - Mode B operation
 - pins 4-5 (+)
 - pins 7-8 (-)
 - reversing option
 - Ideal for IP Cameras, VOIP phone, WiFi Access Points
-
- Technical support from Austin
 - Select the power supply you need 24, 48 or 56 volts
 - Power is always on
 - no auto-negotiation
 - powers 802.3af / 802.3at devices "passively"
 - powers Ubiquiti air fiber

Mode A and B power inputs

Usage	Mode A - DC Input RJ45 pins 12- 36+	Mode B - DC Input RJ45 pins 45+ 78-	Note
802.3at (passive)	56 volts	56 Volts	for up to 300 watts total or 60 watts per port
802.3af (passive)	48 volts	48 volts or none	Load balancing or Redundancy
802.3af (passive) + 24v	48 or 56 volts	24 volts	Passive and 802.3af at the same time
Passive 24v	None	24 volts	Mikrotik, UBNT, OpenMesh, Tranzeo

Please see also our 4, 6 and 12 port gigabit injectors, our 10/100 injectors, switches and PoE Tester