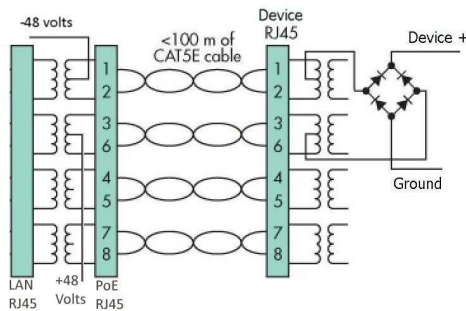


## WT-GPOE-1A-48v15w Injector for 802.3af devices

10/100/1000 Gigabit PoE injector.  
 Internal power supply, 48 volts and 15 watts.



- WiFi-Texas brand PoE injector
- 1 Port Gigabit Ethernet Injector
  - 1 Shielded RJ-45 LAN
  - 1 Shielded RJ-45 LAN+POE
  - 10/100/1000 data rates
- Power is always on
  - no auto-negotiation
  - powers 802.3af devices "always on"
- Size: 110mm x 24mm x 22mm
- 500 ma automatic current limit
  - use only with PoE devices
- Use with any Ethernet switch
  - PoE or non-PoE switches
- LED status indicator
- Operating Temperature
  - 0 to 55 deg C
- Mode A operation
  - pins 1-2 ( minus 48 volts )
  - pins 3-6 ( positive 48 volts )
  - use crossover cable for reverse PoE
- Ideal for IP Cameras, VOIP phone, WiFi Access Points
- Technical support from Austin
- 48v 15w power supply
  - 110/240 inputs, Class 2,
  - DoE class 6, FCC listed
  - UL in 1Q2017
  - narrow body uses just one outlet space
  - 1500 volts isolation
- Other gigabit versions available
  - 48 volt 15 watt mode B
  - 24 volt 15 watt mode B
  - 29 volt 12 watt mode B reverse

### Other WiFi-Texas brand Products



12 to 24 port rack mount



6 port wall mount



PoE Tester