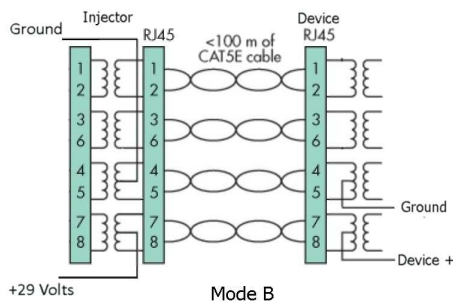


## WT-GPOE-1-29v14w Injector for Ubiquiti and Mikrotik 10/100/1000 or Gigabit PoE injector. Internal power supply, 29 volts and 14 watts.



- WiFi-Texas brand PoE injector
- 1 Port Gigabit Ethernet Injector
  - 1 Shielded RJ-45 LAN
  - 1 Shielded RJ-45 LAN+POE
  - 10/100/1000 data rates
- Power is always on
  - no auto-negotiation
  - powers passive mode B devices
- Size: 110mm x 29mm x 22mm
- 500 ma automatic current foldback – will not damage non-PoE devices
- Use with any Ethernet switch
  - PoE or non-PoE switches
- Blocks 802.3af PoE and protects the attached device
- LED status indicator
- Operating Temperature
  - 0 to 55 deg C
- Reverse Mode B operation
  - pins 4-5 ( minus 29 volts )
  - pins 7-8 ( plus 29 volts )
- Ideal for IP Cameras, VOIP phone, WiFi Access Points
- Technical support from Austin
- 29v 12w power supply
  - 110/290 inputs, Class 2,
  - DoE, FCC listed, UL 1Q2017
  - 1500 volts isolation
  - narrow body uses just one outlet space
- Other versions available
  - 48 volt 15 watt mode A
  - 24 volt 12 watt mode B

### Other WiFi-Texas brand Products



12 to 29 port rack mount



6 port wall mount



PoE Tester