

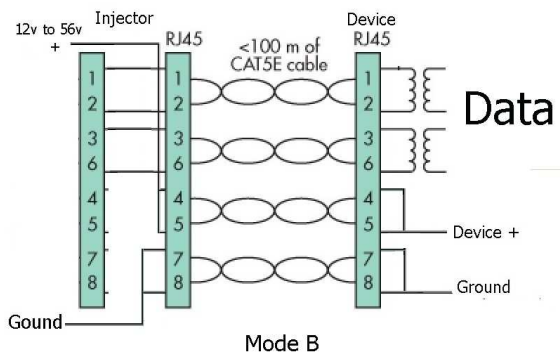


## WS-POE-Inline Injector / Splitter for any PoE device

10/100 fast ethernet, use as PoE injector or PoE Splitter. External power supply, not included, from 12v to 56v, up to 30 watts.



Power In, Data PoE out



- 1 Port 10/100 Ethernet
  - Injector or Splitter
  - 1 Shielded RJ-45 LAN
  - 1 Shielded RJ-45 LAN+POE
- Size: 3 x 1.3 x .8 inches ( 76 mm x 29mm x 22mm)
- Inline
- Use with any Ethernet switch
  - PoE or non-PoE switches
- Standard power connector
  - 2.1mm x 5.5mm
- Operating Temperature
  - 0 to 65 deg C
- Mode B operation
  - pins 4-5 (+)
  - pins 7-8 (-)
  - reversing option – contact us
- Ideal for IP Cameras, VOIP phone, WiFi Access Points
- Technical support from Austin
- Select the power supply you need 12 to 56 volts
- Power is always on
  - no auto-negotiation
  - powers 802.3af / 802.3at devices “passively”

Device Spec	Mode B - DC Input RJ45 pins 45+ 78-	Note
802.3af or "12v, PoE"	48 volts or none	for up to 25 watts per port
Passive 24v	24 volts	Mikrotik, UBNT, OpenMesh, Tranzeo
Passive 12v	24 volts	Trendnet, see our Distance Calculator for loss in CAT-5

Please see also our 4, 6 and 12 port gigabit injectors, our 10/100 injectors, switches and PoE Tester

<http://wifi-texas.com> Skype: WiFiQos 512-479-0317