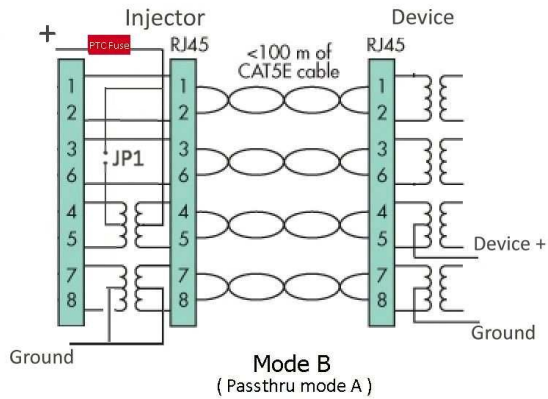
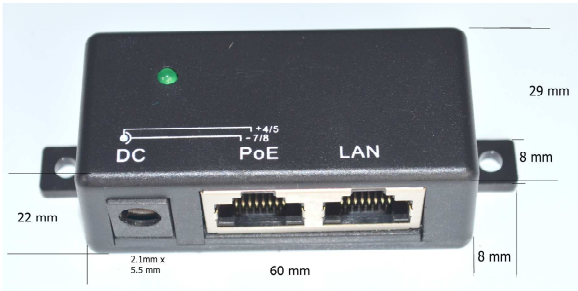




WT-GPOE-2-WM Injector / Splitter for any PoE device

10/100/1000 or Gigabit, use as PoE injector or PoE Splitter. External power supply, not included, from 12v to 56v, up to 30 watts.



- 2 Port Gigabit Ethernet
 - Injector or Splitter
 - 2 Shielded RJ-45 LAN+PoE
 - 10/100/1000 data rates
- Dual PoE out - cconnect two PoE devices together with one injector
- Used for WiFi-Access points and Camera
- Size: 1.3 x .8 inches (76 mm x 29mm x 22mm)
- wall mount
- 650 ma automatic resettable fuse for 30 watts total
- Use with any two PoE devices
 - both will see the same voltage
- Standard power connector
 - 2.1mm x 5.5mm
- LED status indicator
- Operating Temperature
 - 0 to 65 deg C
- Mode B operation
 - pins 4-5 (+)
 - pins 7-8 (-)
- Technical support from Austin
- Select the power supply you need 12 to 56 volts
- Power is always on
 - no auto-negotiation
 - powers 802.3af / 802.3at devices “passively”

Set JP1 on for dual power (power out the LAN port) leave JP1 off for WS-GPOE-1-WM emulation.

Device Spec	Mode B - DC Input RJ45 pins 45+ 78-	Note
802.3at	56 Volts	for up to 30 watts total
802.3af or “12v, PoE”	48 volts	for up to 25 watts total
Passive 24v	24 volts	Mikrotik, UBNT, OpenMesh, Tranzeo – 15 watts, ask for higher ratings