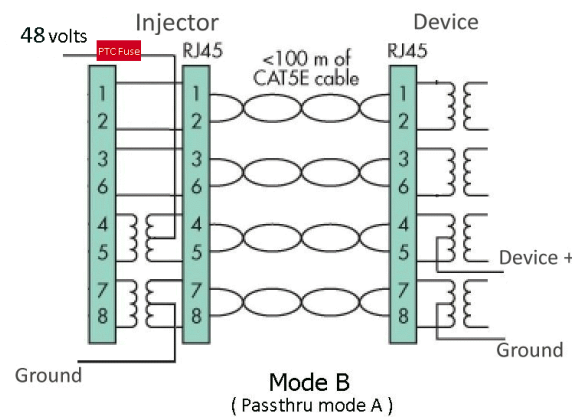
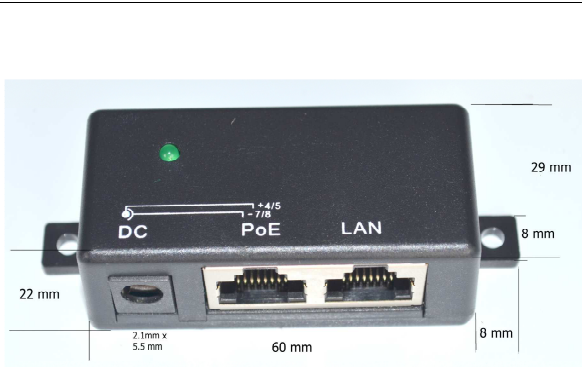




WT-GPOE-1-WM
Injector / Splitter for
any PoE device

10/100/1000 or Gigabit, use as PoE injector or PoE Splitter. External power supply, not included, from 12v to 56v, up to 30 watts.



- 1 Port Gigabit Ethernet
 - Injector or Splitter
 - 1 Shielded RJ-45 LAN
 - 1 Shielded RJ-45 LAN+POE
 - 10/100/1000 data rates
- Size: 3 x 1.3 x .8 inches (76 mm x 29mm x 22mm)
- wall mount
- 650 ma automatic resettable fuse
- Use with any Ethernet switch
 - PoE or non-PoE switches
- Standard power connector
 - 2.1mm x 5.5mm
- LED status indicator
- Operating Temperature
 - 0 to 65 deg C
- Mode B operation
 - pins 4-5 (+)
 - pins 7-8 (-)
 - reversing option – contact us
- Ideal for IP Cameras, VOIP phone, WiFi Access Points
- Technical support from Austin
- Select the power supply you need 12 to 56 volts
- Power is always on
 - no auto-negotiation
 - powers 802.3af / 802.3at devices “passively”

Please see also our 4, 6 and 12 port gigabit injectors, our 10/100 injectors, switches and PoE Tester

| Device Spec | Mode B - DC Input RJ45 pins 45+ 78- | Note |
|--------------------------|--|--------------------------------------|
| 802.3at | 56 Volts | for up to 30 watts per port |
| 802.3af or “12v, PoE” | 48 volts | for up to 25 watts per port |
| Passive 24v | 24 volts | Mikrotik, UBNT, OpenMesh, Tranzeo |