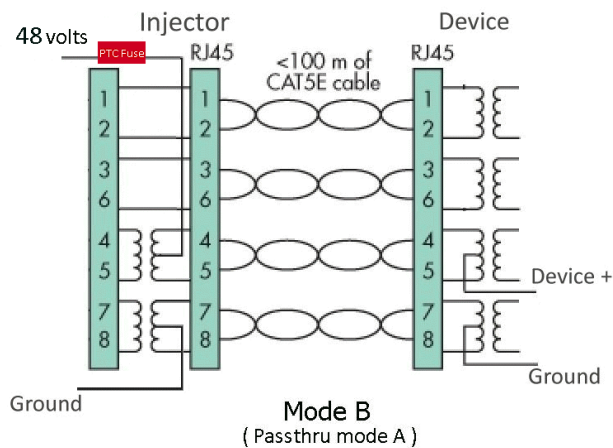
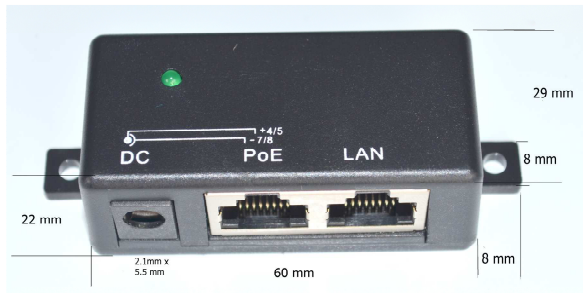




WS-GPOE-1-48v30w Injector for 802.3af devices

10/100/1000 or Gigabit PoE injector. External power supply included 48 volts 30 watts, UL and FCC approved.



- 1 Port Gigabit Ethernet
 - 1 Shielded RJ-45 LAN
 - 1 Shielded RJ-45 LAN+POE
 - 10/100/1000 data rates
- Size: 3 x 1.3 x .8 inches (76 mm x 29mm x 22mm)
- wall mount
- UL, FCC, DoE listed 30 watt power supply included – 100v to 240v 50/60h AC input, high efficiency DC output, class II fully isolated
- 650 ma automatic resettable fuse
- Use with any Ethernet switch
 - PoE or non-PoE switches
- Standard power connector
 - 2.1mm x 5.5mm
- LED status indicator
- Operating Temperature
 - 0 to 65 deg C
- Mode B operation
 - pins 4-5 (+)
 - pins 7-8 (-)
 - reversing option – contact us
- Ideal for IP Cameras, VOIP phone, WiFi Access Points
- Technical support from Austin
- Power is always on
 - no auto-negotiation
 - powers 802.3af / 802.3at devices “passively”

In	LAN	POE
1	Data	Data
2	Data	Data
3	Data	Data
4	Data	Data+Volt
5	Data	Data+Volt
6	Data	Data
7	Data	Data+GND
8	Data	Data+GND

INPUT: 12V-48V DC

Please see also our 4, 6 and 12 port gigabit injectors, our 10/100 injectors, switches and PoE Tester