



Austin Led Consultants

DMX and Led power over ethernet

Austin Led Consultants Inc
815-A Brazos #326
Austin Tx, 78701
512 377-6052

<http://atxled.com>



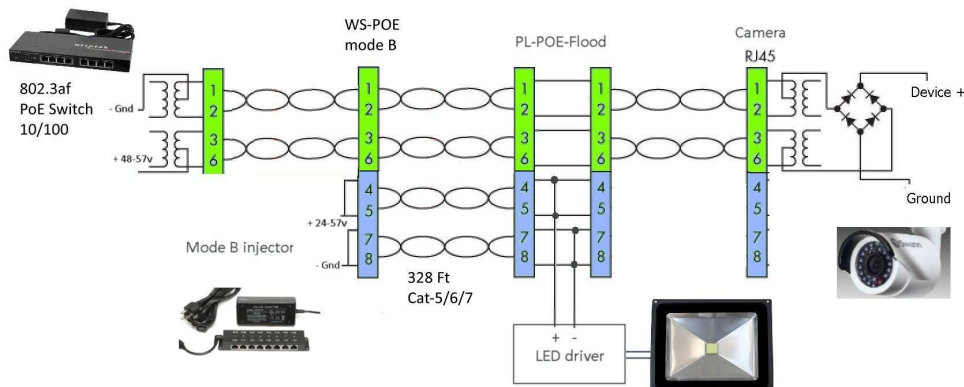
PL-IR InfraRed Flood with Dusk/Dawn Infrared night light – long range

Product Description - PL-IR-Flood

This Floodlight is powered by Ethernet cable! You can now add powerful IR illumination dusk-dawn anywhere – without the need for 110v wiring. Bright 6 watts of long lifetime IR LED lighting. This device allows two power feeds on one CAT-5e line. Camera power and data at 10/100 speeds, while the same Ethernet cable powers this IR Illuminator. Together with the WS-POE-In-24v12w kit you have a male and female RJ45 – you can attach a PoE Camera and LED floodlight from the same CAT-5e cable up to 328 ft from the source. The attached 2nd device can be a Camera, a WiFi Access Point or a PL-POE-Flood for white and IR light.

With Power over Ethernet there are two modes A and B. Mode A has power & data on pins 1,2 and 3,6 – this is for the attached camera or other 802.3af device. Mode B is power on pins 4,5 and 7,8. The PL-POE-IR kits use mode B for LED power, while passing Power & Data on mode A thru the device untouched, out to a camera, a WiFi-Access point or a PL-AT-Flood LED. This design allows 2 devices to share one CAT-5e line. Here is how this is done.

Mode A from your PoE switch mode B from our passive mode B injector



Your existing standard PoE switch supplies 48 or 56 volts DC for the device in mode A, and our PoE injector adds independent mode B power for the LED. Since these are on different pins of the RJ45 – it works well. With this method, our injectors from 1 to 24 ports are recommended for LED power on mode B, while a 2nd device power comes from the PoE switch or injector on mode A pins.

The mode A power source can also be any WiFi Texas brand device like the WT-GPOE wall mount or rack mount device

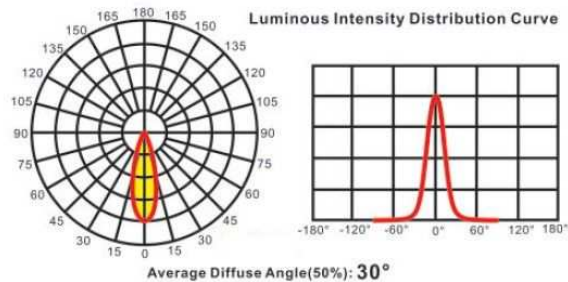
Specifications

Power source	2.1 x 5.5 mm DC plug any 24v 12w UL listed power supply
Input voltage range	IR flood accepts 12v to24v 6.5 watts
Max Power consumption	6.5 watts in for 6 watts model LED light 13 watts in for 12 watts model LED light
Input Current at 24v	250 ma input delivers 6 watts to LED
Dusk to Dawn	Built In CDS sensor
IR LED Color	850 nm
Operating Temperature	0°C ~ 50°C
Size	225 x 250 x 185 mm with 20 cm cord






PoE example - Daisy Chaining

To power the IR flood and a PoE camera – connect the WS-POE-In-24v12w Poe injector (24v) after the PoE switch, then run up to 328 ft of CAT-5e or better wire, then connect the PoE splitter to the IR flood, and the RJ45 male to the Camera. You now have IR and a Camera on the same CAT-5ecable.



Order information

LED order codes – Mode B	Description
PL-POE-Flood-6w mode B	6 watt – power on pins 4&5: 7&8 pass thru 1&2: 3&6
PL-POE-Flood-12w mode B	12 watt – power on pins 4&5: 7&8 pass thru 1&2: 3&6
Injectors - Flood + camera	
WS-POE-In-24v15w	Mode B Injector add-on for PoE switches for one Flood-LED, passthru mode A
Multiport Injectors	
WS-POE-8-24v60w	Mode B Injector add-on for PoE switches to add 8 Flood-LEDs, wall mount, mode A passthru
WS-POE-16-24v120w	Mode B Injector add-on for PoE Switches to add 16 Flood-LEDs, rack mount, mode A passthru
 <p>Single power injector</p>	<p>Power 8 Devices</p>  <p>Over Ethernet</p>  <p>Multiport Injectors</p>